



Description

An economic automatic on off unit, offering a compact and lightweight electric actuator fitted to 2 way full bore brass ball valve. suitable for standard process applications. The HQ005 electric actuator is specially designed for quarter turn applications such as small ball, butterfly valves and dampers. Light and compact design, IP65 protected with high output torques. Various control options and a wide range of voltages to suit your specific requirements. High Quality electrical components and alloy gearing ensure reliability and extended life span.

2/2 Economy Electric Actuated Brass Ball Valve

- 1/4" - 3" Screwed BSPP
- Various Voltages
- Optical and electrical indication
- Manual Emergency Handwheel
- Up to 40 Bar



Description

1/4" - 3" direct mount ball valve, electrically actuated for automatic on / off applications. The actuator is power open and power close, with the addition of limit switches, optical indication and manual override.



Beschreibung

1/4 " - 3" Direktmontage Kugelventil , elektrisch für die automatische Ein- / Aus- Anwendungen angesteuert. Der Antrieb ist Macht offen und Macht in der Nähe , mit dem Zusatz von Endschalter, optische Anzeige und manuelle Übersteuerung .



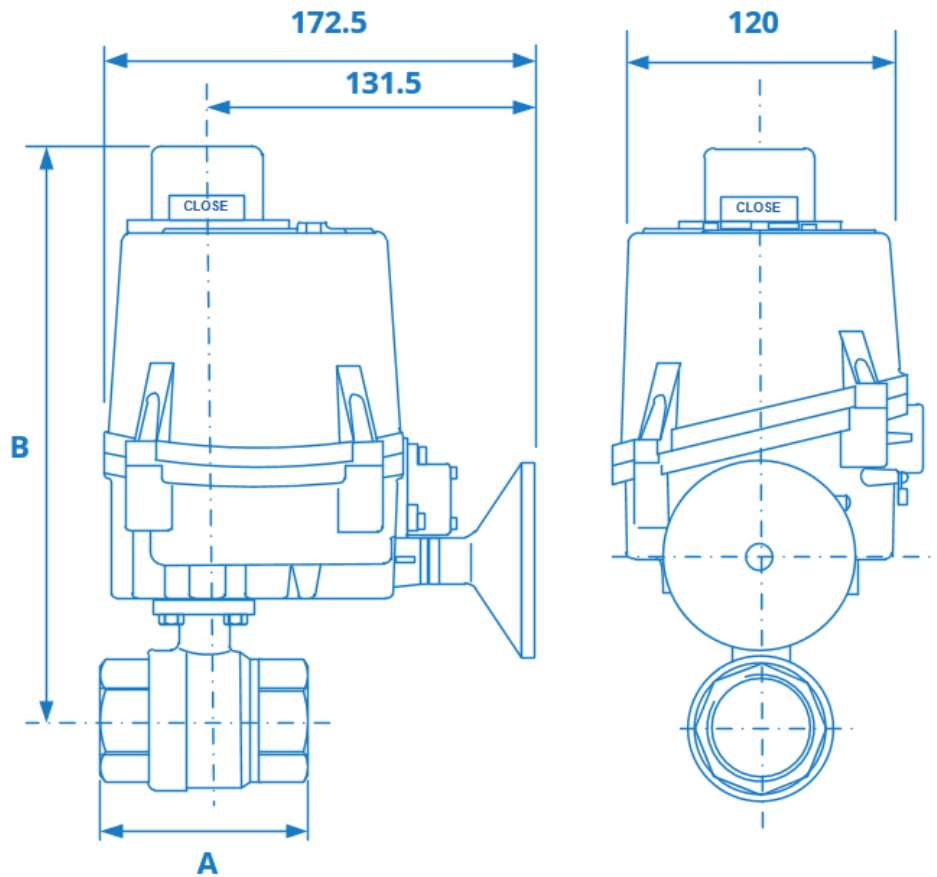
Descripción

1/4 " - 3 " directa montaje de válvula de bola , de accionamiento eléctrico para automático de aplicaciones todo / . El actuador es poder abrir y potencia cercano , con la adición de finales de carrera, indicación óptica y control manual .



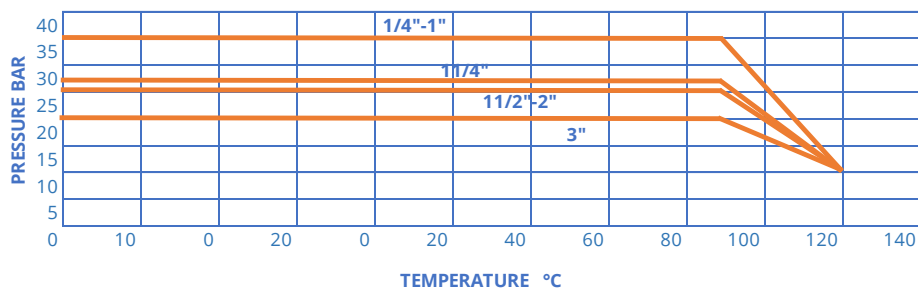
Description

1/4 " - 3 " direct vanne à boisseau sphérique, actionné électriquement pour marche / arrêt automatique des applications . L'actionneur est ouverte et la puissance alimentation à proximité , avec l'ajout de fin de course, indication optique et commande manuelle .



Technical - Valve	
Body material	Brass nickel plated
Ball	Brass chrome plated
Seat	PTFE
Stem	Brass
O Ring	Viton
Specification	
Pressure range	1/4"-1" 40 bar 1 1/4" 32 bar, 1 1/2"- 2 1/2" 30 bar, 3" - 25 bar
Temperature range	-20°C + 120°C
Movement	90 Degree adjustable -5°-+ 5°
Connection	Screwed BSPP
ISO Top	ISO 5211

DIMENSIONS				
Size	Act.	A	B	Weight
1/4"	HQ005	65	210	2.9
3/8"	HQ005	65	210	2.9
1/2"	HQ005	65	210	2.9
3/4"	HQ005	75	214	3
1"	HQ005	86	218	3.3
1 1/4"	HQ005	95	223	3.6
1 1/2"	HQ005	101	239	3.8
2"	HQ005	120	246	4.6
2 1/2"	HQ005	165	272	6.4
3"	HQ005	188	282	8.1



Features

- Multi voltage design (Single phase & 24V)
- High corrosion resistance, anodized & painted housing
- 4 off Limit switches
- Torque output: 50 Nm
- low current, long-life actuator due to unique brushless DC motor ensuring high reliability
- 2 off M20 cable entries
- IP67 weatherproof enclosure
- F03/F04/F05/F07 mounting base with 14mm Star drive
- Captive cover bolts
- Visual beacon indicator & LED lamps
- 70% Duty Rating (on/off only)
- Declutchable manual override handwheel
- Electronic torque limiter

Standard Actuator Specification

Enclosure	:	Weatherproof IP67
Power Supply	:	85 - 265 VAC 1 ph, 50/60Hz / 24 VAC/DC
Operating Time	:	90° - 13 seconds
Limit Switches	:	4 x SPDT, 250V AC 10A (2 std. & 2 additional)
Space Heater	:	2W Anti Condensation
Manual Override	:	Handwheel Declutchable
Duty Cycle (on/offduty)	:	S4, 70% (avarage load of 80% for Max. torque) S2, 50% (avarage load of 80% for Max. torque)
Travel Angle	:	330°
Conduit Entries	:	2 x M20
Ambient Temperature	:	-20°C to + 80°C
External Coating	:	Dry Powder, Polyester

PERFORMANCE

MODEL	HQ005
TORQUE(Nm)	50
SPEED 90° 50/60Hz	13
CURRENT 110/1/50	0.1A
(A) 220/1/50	0.05A
24 VAC/DC	0.8 A
WEIGHT	2.6
MAX.SQ.DRIVE	14
ISO 5211 mtg. base	F03, F04, F05, F07

