



## Stainless Steel Spring Check Valve Barrel Type Screwed

- Heavy Duty
- Guided Disc Design
- High Performance
- Quiet Operation
- High Flow Rates
- Maximum Pressure 20 Bar

### > Description

Screwed "Barrel Type" Spring Check Valve.  
 ASTM A351 CF8M 316 Stainless Steel construction with Chemically Polished finish.  
 2-Pce screw together body construction.  
 PTFE Body Seal, Viton Seat. 20 bar pressure rated. - 20°C to +120°C Temp rated. BSP Screwed end connections. CE marked in accordance with PED 97/23/EC (from 1 1/4")  
 The valve offers substantial advantages over other spring check valves that are available, especially where elevated temperatures are involved such as steam and thermal fluid applications.  
 The 2-pce body construction allows the valve to be maintained.  
 We are able to offer full material certification to EN 10204 3.1.

### > Typical Applications

Temperature critical media.  
 Where spring assistance is required.  
 Semi corrosive solid free liquids.



### Description

Reliable and robust stainless steel barrel spring check valve. Screwed BSP. This reliable check valve can allow pressures of up to 20 Bar and temperatures of 120°C. Options for fitting a stainless steel basket, when it becomes a fully functional foot valve



### Beschreibung

Zuverlässiges und robustes Rückschlagventil für Edelstahlgehäusefedern. BSP geschraubt. Dieses zuverlässige Rückschlagventil kann Drücke von bis zu 20 bar und Temperaturen von 120°C zulassen. Optionen für die Montage eines Edelstahlkorbs, wenn dieser zu einem voll funktionsfähigen Fußventil wird



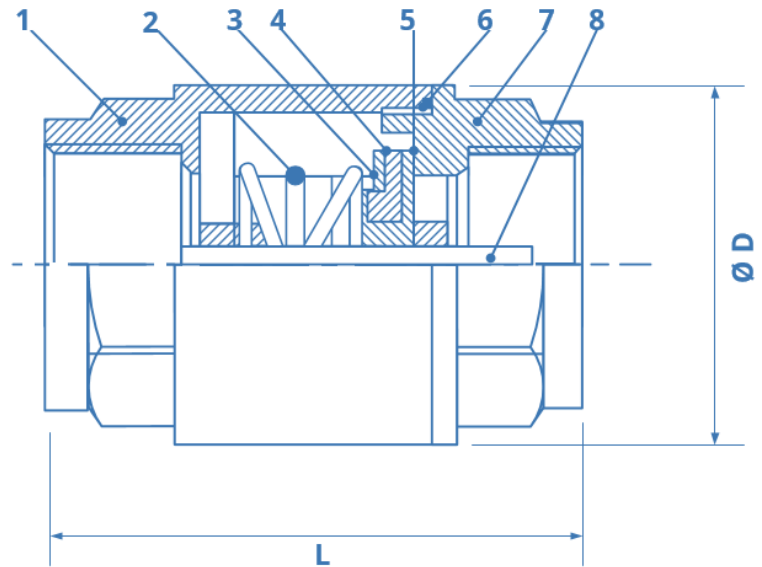
### Descripción

Válvula de retención de resorte de barril de acero inoxidable confiable y robusta. BSP atornillado. Esta confiable válvula de retención puede permitir presiones de hasta 20 Bar y temperaturas de 120°C. Opciones para instalar una canasta de acero inoxidable, cuando se convierte en una válvula de pie completamente funcional



### Description

Clapet anti-retour à ressort en acier inoxydable fiable et robuste. BSP vissé. Ce clapet anti-retour fiable peut autoriser des pressions allant jusqu'à 20 bar et des températures de 120°C. Options de montage d'un panier en acier inoxydable, lorsqu'il devient un clapet de pied entièrement fonctionnel

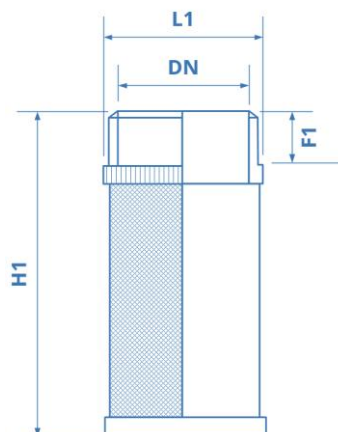


Cracking Pressure – water 0.02 Bar

## Dimensions

Size (DN)	1/4	3/8	1/2	3/4	1	1 1/4	1 1/2	2
L	51	51	57	62	75	82	88	100
D	29	29	32.5	40.5	48	60	70	87
L1	26	26	32	41	48	55	68	86
H1	50	50	50	57	57	68	78	95
F1	8	8	8	9	9	11	11	12

Item	Description	Material
1	Body	CF8/CF8M - 316 St St
2	Spring	304
3	Disc	304
4	Seat	Rubber
5	Core	304/316
6	Gasket	PTFE
7	Cap	CF8/CF8M
8	Stem	304/316



Stainless Steel filter can be supplied to screw into the check valve making it into a foot valve.

All information is sourced from our manufacturer's data and is intended for guidance only - Valves Online can accept no liability for changes, omissions or errors.

