



Description

A Pneumatically Actuated PVC-U Ball Valve with the benefit of being able to be direct mounted to the actuator, that enables this unit to be excellent value for money. Suitable for a range of chemical, water treatment, clean water and light industrial applications. Using the well proven Industrial series PVC-U ball valve with EPDM seats, it offers excellent flow characteristics, mechanical strength, minimal pressure drop and resistance to many inorganic chemicals. Actuation is either Single or Double acting with a range of configurable options including limit switches, solenoid valves and positioners.

Applications

Industrial and chemical process pipelines.
Swimming pool.
Acid / Alkali and waste water treatment.
High purity, clean water and water treatment plants.
Heating, plumbing and mechanical pipeline systems.
Irrigation, marine and gravity pipelines.

Economy Pneumatic Actuated PVC-U Ball Valve

- Economy PVC-U ball valve
- Pneumatic Actuated SR or DA
- EPDM seats
- Imperial, Metric or BSP end connections
- Sizes 1/2" to 2"
- Pressure range 10 Bar



Description

A PVC-U pneumatically operated ball valve for on / off duty, offering a compact and reliable unit. Screwed or solvent ends in both metric or imperial. The valve is full bore and sits directly onto either Double acting or with a Spring Return (open or Closed) pneumatic actuator. In addition the actuator can be fitted with switchboxes, pilot solenoids and positioners. Typical Applications include swimming pools, chemical process industry, water treatment, fish farms, measurement and control, ship building, food & beverage



Beschreibung

Ein pneumatisch betätigter Kugelhahn aus PVC-U für den Ein / Aus-Betrieb, der eine kompakte und zuverlässige Einheit bietet. Schraub- oder Lösungsmittelenden sind metrisch oder imperial. Das Ventil hat eine volle Bohrung und sitzt entweder direkt auf einem doppelwirkenden oder einem pneumatischen Federrückstellantrieb (offen oder geschlossen). Zusätzlich kann der Antrieb mit Schaltkästen, Vorsteuer Magneten und Stellungsreglern ausgerüstet werden. Typische Anwendungen sind Schwimmbäder, chemische Industrie, Wasseraufbereitung, Fischzucht, Messung und Kontrolle, Schiffsbau, Lebensmittel und Getränke



Descripción

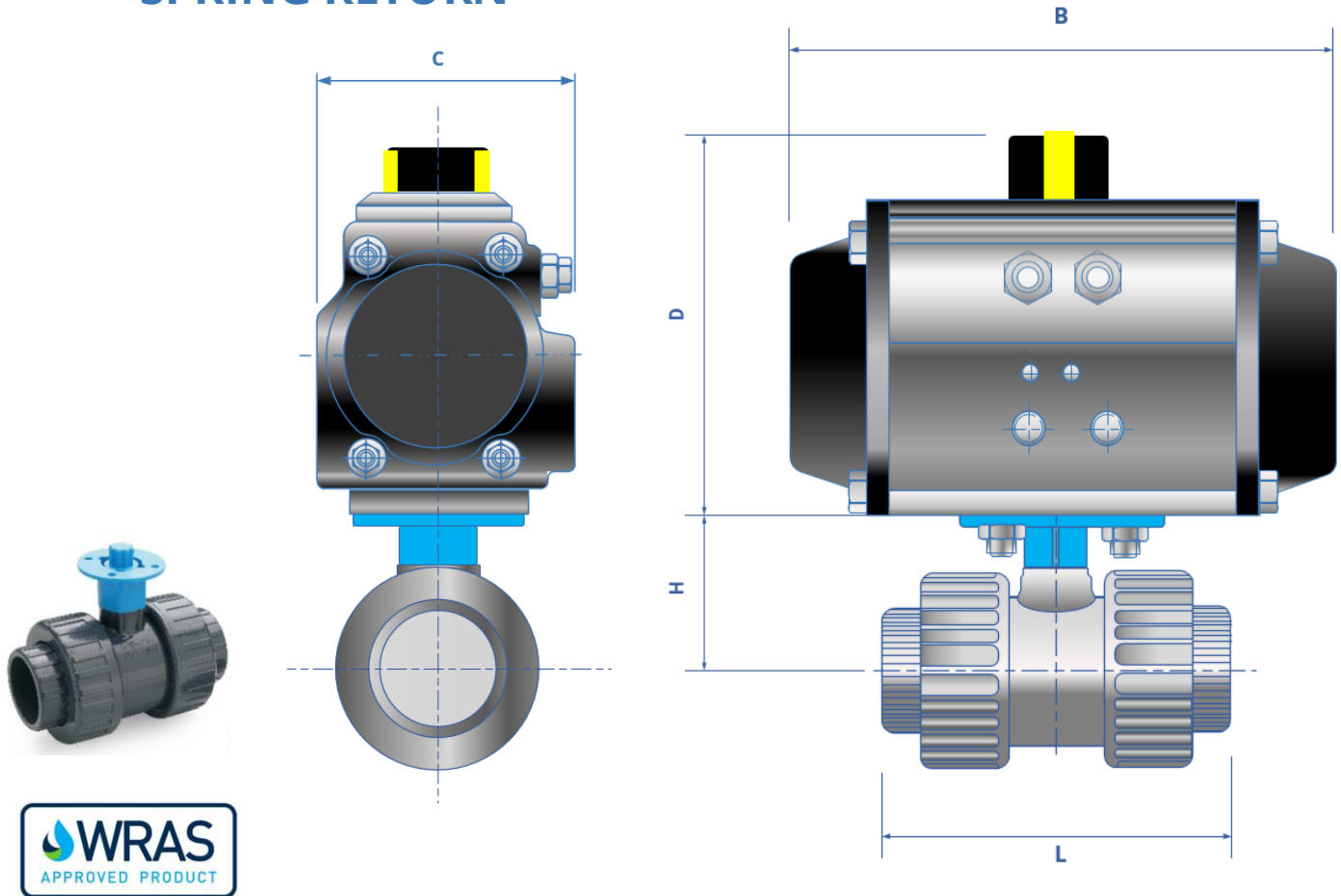
Una válvula de bola neumática de PVC-U para servicio de encendido / apagado, que ofrece una unidad compacta y confiable. Extremos atornillados o solventes en métrica o imperial. La válvula tiene un orificio completo y se asienta directamente sobre un actuador neumático de retorno por resorte (abierto o cerrado) de doble acción o con resorte. Además, el actuador puede equiparse con cajas de interruptores, solenoides piloto y posicionadores. Las aplicaciones típicas incluyen piscinas, industria de procesos químicos, tratamiento de aguas, piscifactorías, medición y control, construcción de barcos, alimentos y bebidas.



Description

Robinet à boisseau sphérique à commande pneumatique en PVC-U pour service tout ou rien offrant une unité compacte et fiable. Extrémités vissées ou à dissoudre, métriques ou impériales. La vanne est à passage intégral et repose directement sur un actionneur pneumatique à double effet ou avec un ressort de rappel (ouvert ou fermé). De plus, l'actionneur peut être équipé de boîtiers de commutation, de solénoïdes de pilote et de positionneurs. Les applications typiques comprennent les piscines, l'industrie des procédés chimiques, le traitement de l'eau, les piscicultures, la mesure et le contrôle, la construction navale, les aliments et les boissons.

SPRING RETURN



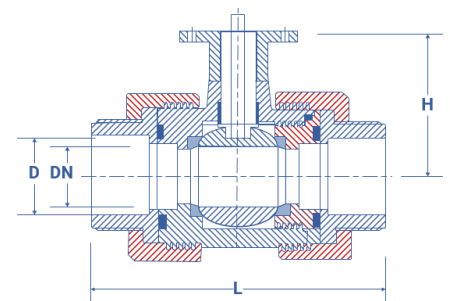
Spring Return Dimensions

BSP	Metric Din	BS Imperial	ACTUATOR	L	H	D	B	C	Weight
1/2"	20	15	HP50S	84	41.5	93	144	72	1.3
3/4"	25	20	HP63S	112	59.5	107	163	85	2.2
1"	32	25	HP63S	126	59.5	107	163	85	2.3
1 1/4"	40	32	HP75S	149	85	124	210	96	3.8
1 1/2"	50	40	HP75S	157	85	124	210	96	3.81
2"	63	50	HP75S	190	95.5	124	210	96	4.35

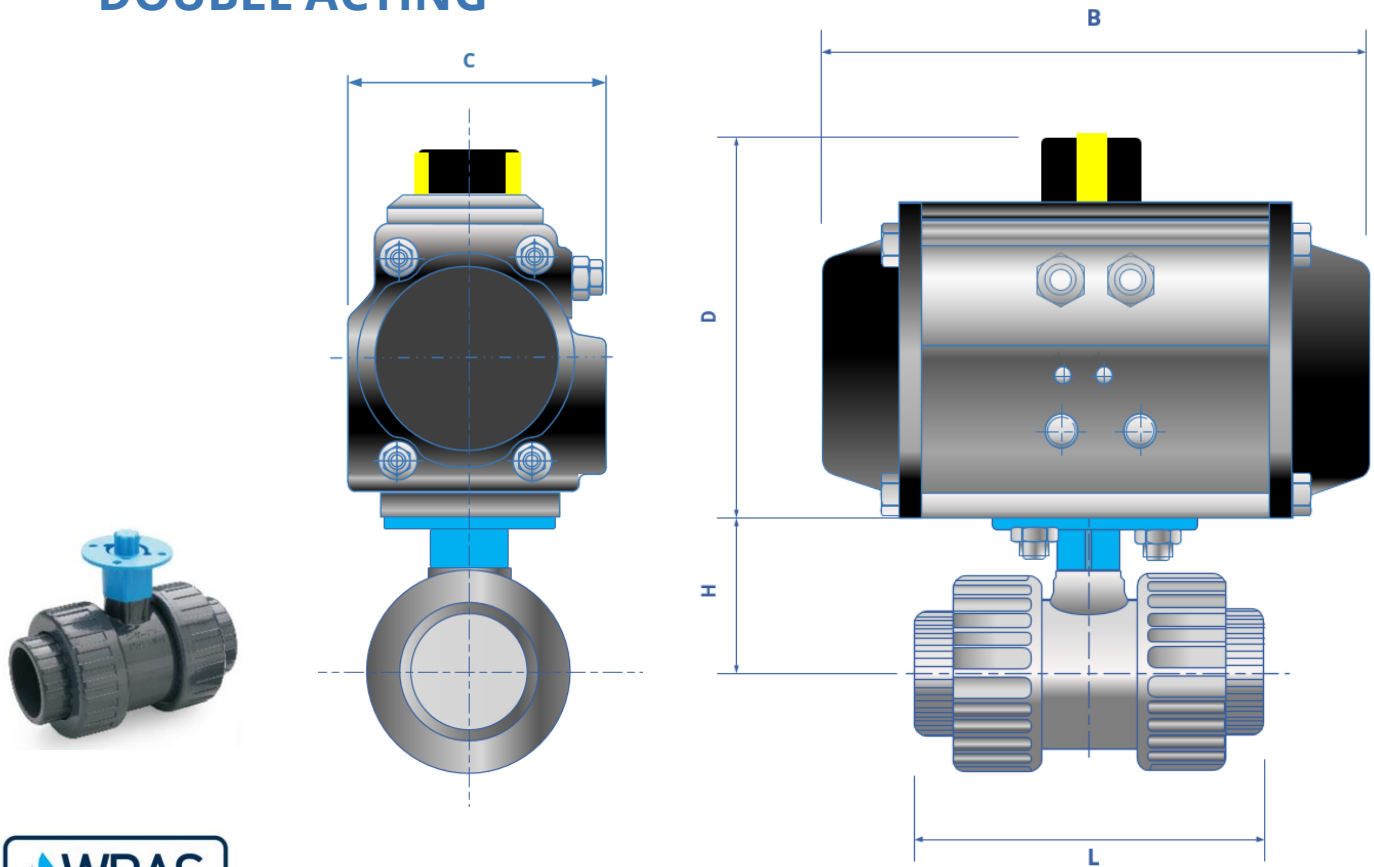
Valve	
Body	PVC-U
Union Nuts	PVC-U
Union ends	PVC-U
Valve seats	HYTREL
Valve O Rings	EPDM
Pressure	10 BAR
Temperature	40C
Standards	EN 1452-4
	DIN 2999
	ISO 7/1

PVC-U Ball Valve
BSP Threaded, Imperial or Metric Solvent Socket
1/2" to 2" & 20mm to 63mm
EN 1452 Part 3, DIN 2999, ISO 7/1

Valve is supplied with both
Metric and Imperial Solvent
Socket Ends



DOUBLE ACTING



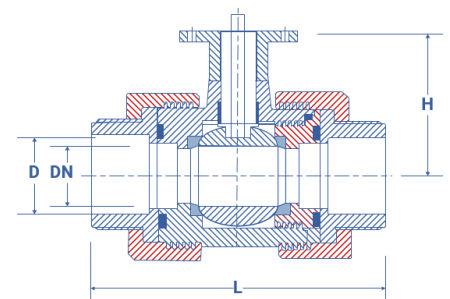
Double Acting Dimensions

BSP	Metric Din	BS Imperial	ACTUATOR	L	H	D	B	C	Weight
1/2"	20	15	HP50D	84	41.5	93	144	72	1.3
3/4"	25	20	HP63D	112	59.5	107	163	85	2.2
1"	32	25	HP63D	126	59.5	107	163	85	2.3
1 1/4"	40	32	HP63D	149	85	107	163	85	2.5
1 1/2"	50	40	HP63D	157	85	107	163	85	2.6
2"	63	50	HP63D	190	95.5	107	163	85	3

Valve	
Body	PVC-U
Union Nuts	PVC-U
Union ends	PVC-U
Valve seats	HYTREL
Valve O Rings	EPDM
Pressure	10 BAR
Temperature	40C
Standards	EN 1452-4
	DIN 2999
	ISO 7/1

PVC-U Ball Valve
BSP Threaded, Imperial or Metric Solvent Socket
1/2" to 2" & 20mm to 63mm
EN 1452 Part 3, DIN 2999, ISO 7/1

Valve is supplied with both
Metric and Imperial Solvent
Socket Ends



Technical - Actuator

Body material	Hard anodised extruded aluminium alloy
End Caps	Die cast aluminium epoxy coated
Spring	High tensile steel
Indicator	Open/Closed
Pinion shaft	Alloy steel nickle plated
Pinion Guides	Self Lubricating Polypropylene + GF
Piston seals	NBR

Specification

Pressure range	10 Bar
Double acting	2.5 Bar - 8 Bar
Single acting	2.5 Bar - 8 Bar
Temperture range	minus 20°C - 80°C
Movement	90 Degree adjustable -5-+5 Degree
Lubrication	All moving parts are lubricated
Cycle Life	1,000,000 operations
Approvals	EX, ATEX, CE, PED

* The sizing shown is based on air supply of 5.5 bar to pilot the actuator



BASIC MODEL



BASIC MODEL WITH PILOT SOLENOID



FULLY LOADED MODEL WITH SOLENOID AND SWITCHBOX

Everything you need to complete your System, all available from one source. Friendly Technical advice, Economic prices and fast deliveries.



Solenoid Valves



Flow and Batch



Sensors and Transmitters

