

PN16 Stainless Steel Ball Valve with Limit Switchbox



- Direct Mounting Pad
- Full Bore Design
- Lever Handle
- PN16 Flanges
- Switches in Open and Closed Position
- TFM4215 Seats

Description

A flanged full bore ball valve fitted with lever operator and mechanical switchbox. Body in CF8M 316 stainless steel, offering high performance and repeatability. The valve can be used on slightly higher temperatures up to 10 bar because of the TFM 4215® (25% carbon filled) ball seats, grafoil body seals and stem packing. Offered in both PN16 or ANSI 150 (BV5513) versions ½" - 4" PN16/40. The valve is provided with a direct mounting pad that allows fitting of a VO210 Limit Switchbox IP67 – SPDT 250V – 16A. Open and closed optical indication is given on the beacon dome top.

Design Advantages

A positive solution to remote indication of a manual valve status.

Easy in line maintenance.
The valve is ATEX Approved.
ATEX Switchboxes are available.

Repair Kits Readily Available



Description

A manual ball valve and mechanical switchbox combination, offering reliability and cost effectiveness. The valve is PN16 flanged, full bore, in 316 stainless steel. The seats are TFM4215 and ideal for On/Off operation of flowing media up to 200°C. Operated with a lever handle and fitted with a limit switchbox with electrical SPDT V3 switches and Optical position indicator that is encased in an IP67 weatherproof housing. Sizes range from ½" up to 4".



Beschreibung

Eine Kombination aus manuellem Kugelhahn und mechanischem Schaltkasten, die Zuverlässigkeit und Kosteneffizienz bietet. Das Ventil ist mit PN16-Flansch und vollem Durchgang aus Edelstahl 316 ausgestattet. Die Sitze sind TFM 4215 und ideal für den Ein- / Aus-Betrieb von fließenden Medien bis 200 ° C. Bedient mit einem Hebelgriff und ausgestattet mit einer Endschalterbox mit elektrischen SPDT V3-Schaltern und optischer Positionsanzeige, die in einem wetterfesten IP67-Gehäuse untergebracht ist. Die Größen reichen von ½ "bis 4".



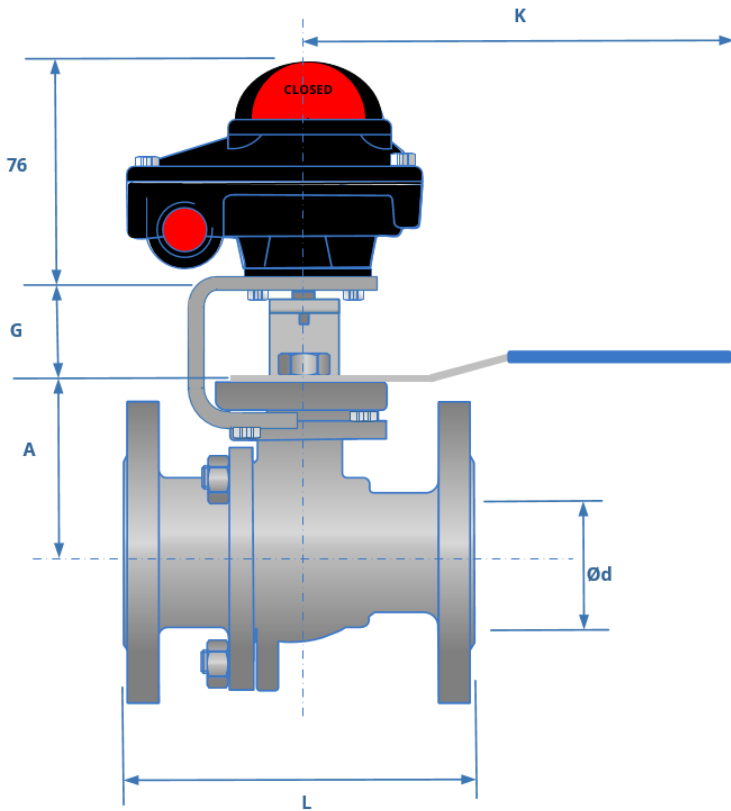
Descripción

Una combinación de válvula de bola manual y caja de interruptores mecánica, que ofrece confiabilidad y rentabilidad. La válvula tiene bridas PN16, diámetro interior completo, en acero inoxidable 316. Los asientos son TFM 4215 e ideales para la operación de encendido / apagado de fluidos de hasta 200 ° C. Operado con una palanca y equipado con una caja de interruptores de límite con interruptores eléctricos SPDT V3 e indicador óptico de posición que está encerrado en una carcasa resistente a la intemperie IP67. Los tamaños varían desde ½ "hasta 4"



Description

Combinaison d'un robinet à boisseau sphérique manuel et d'un boîtier de commutation mécanique, offrant fiabilité et rentabilité. La vanne est à brides PN16, à passage intégral, en acier inoxydable 316. Les sièges sont TFM 4215 et idéaux pour le fonctionnement marche / arrêt de fluides jusqu'à 200 ° C. Fonctionne avec une poignée à levier et est équipé d'un boîtier de fin de course avec interrupteurs électriques SPDT V3 et indicateur de position optique enfermé dans un boîtier étanche IP67. Les tailles varient de ½ "à 4".



Dimensions shown are for guidance only

Dimensions

Size	A	G	K	Ød	L	W(kg)
1/2"	48	30/50	130	15	115	2.53
3/4"	53	30/50	130	20	120	3.32
1"	59	30/50	165	25	125	4.23
1 1/4"	71	30/50	165	32	130	5.9
1 1/2"	76	30/50	205	38	140	7.5
2"	85	30/50	205	50	157	10.32
2 1/2"	93.5	TBA	300	65	170	14.39
3"	103	TBA	340	80	180	18.03
4"	132	TBA	420	100	190	26.7

VALVE

- Stainless Steel
- PN16
- Sizes from 1/2" - 4"
- Full Bore
- TFM4215 seats
- Lever Operated

SWITCHBOX

- Die Cast Aluminium enclosure
- IP67 Enclosure
- Polyester powder coating (black) finish
- Stainless steel Namur shaft
- 2x M20 cable entries
- 2x SPDT mechanical limit switches
- Voltage/Amps 240V AC/16A, 125V AC/16A, 250VDC/0.3A, 125VDC/0.6A and 30VDC/10A
- Captive cover bolts
- -20°C to + 80°C Ambient temperature

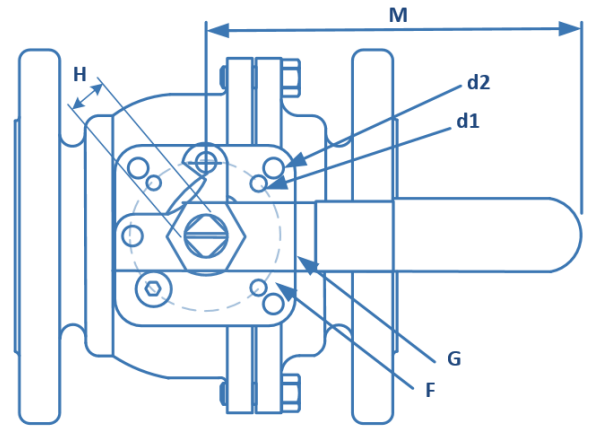
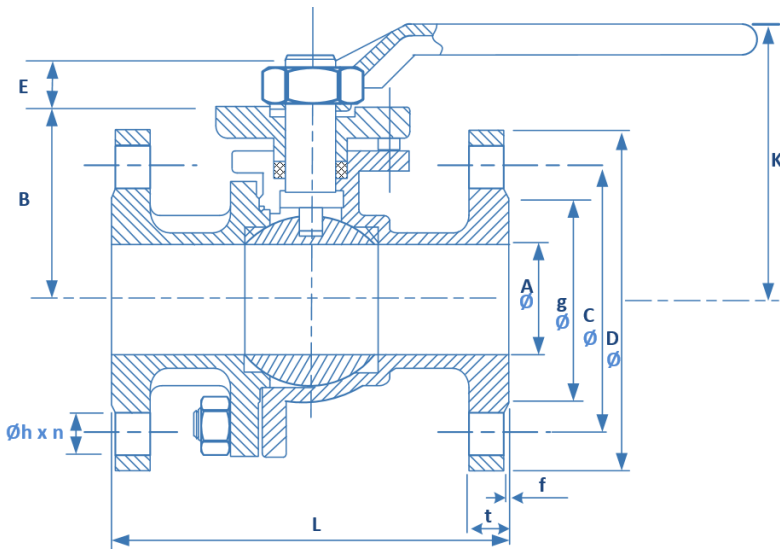


Pneumatic Actuated Versions



Electric Actuated Versions

PN16



Dimensions PN16 (mm)

Size	A	B	E	L	H	K	M	F	G	d1	d2
1/2"	15	48	11	115	9	80	130	36	42	6	6
3/4"	20	53	11	120	9	80	130	36	42	6	6
1"	25	59	14	125	11	90	165	42	50	6	7
1 1/4"	32	71	14	130	11	102	165	42	50	6	7
1 1/2"	38	76	18	140	14	110	205	50	70	7	9.2
2"	50	85	18	150	14	120	205	50	70	7	9.2
2 1/2"	65	93.5	23	170	17	140	300	70	102	9.2	11.4
3"	80	103	23	180	17	150	340	70	102	9.2	11.4
4"	100	132	25	190	22	180	420	102	125	11.4	13.5

Flange Dimensions PN16 (mm)

Size	D	C	h	N	t	g	f	Wt (Kg)
1/2"	95	65	14	4	14	45	2	2.13
3/4"	105	75	14	4	16	58	2	2.85
1"	115	85	14	4	16	68	2	3.72
1 1/4"	140	100	18	4	16	78	2	5.32
1 1/2"	150	110	18	4	16	88	3	6.96
2"	165	125	18	4	18	102	3	9.68
2 1/2"	185	145	18	4	18	122	3	13.79
3"	200	160	18	8	20	138	3	17.53
4"	220	180	18	8	20	158	3	25.62

Stainless Steel

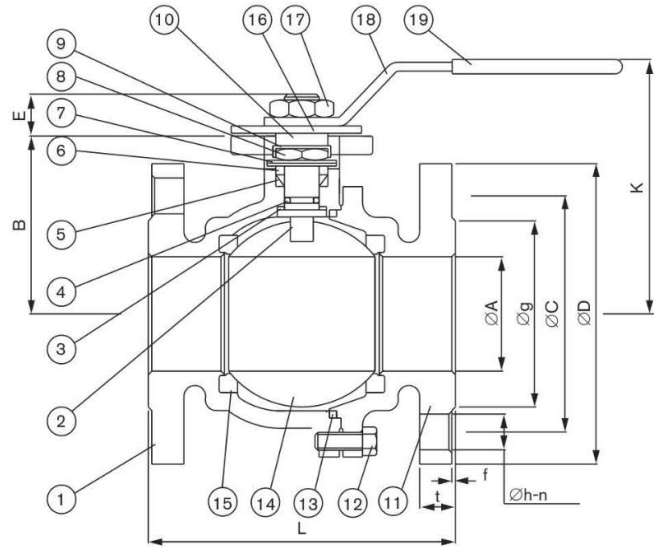


Carbon Steel



Material List

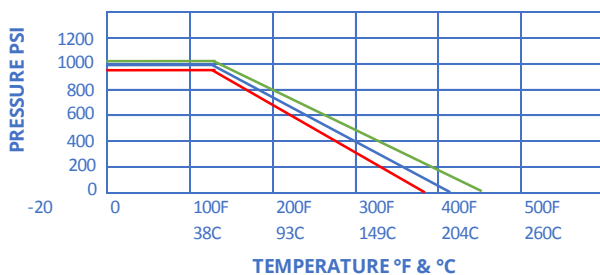
NO.	Parts	Materials
1	Body	CF8M/WCB
2	Stem	CF8M
3	Thrust washer	RPTFE
4	O Ring	PTFE
5	Stem packing	PTFE
6	Gland	SUS304
7	Disc Washer	SUS301
8	Stem Nut	SUS304
9	Nut Stop	SUS304
10	Washer	SUS304
11	Flanged End	CF8M/WCB
12	Bolt	SUS304
13	Gasket	PTFE
14	Ball	SUS316
15	Ball seat	TFM 4215
16	Stopper Plate	SUS304
17	Handle Nut	SUS304
18	Handle	SUS304
19	Sleeve	PLASTIC
20	Stop Pin	SUS304
21	Set Bolt	SUS304
22	Lever Head	CF8M
23	Pipe Handle	STEEL PIPE



Technical Data	ANSI 150	PN16
Valve Size	1/2"-4" (DN15-DN100)	
Design	ASME B16.34	EN 12516-1
Body material	ASTM A351 CF8M	DIN 1.4408
	ASTM A216 WCB	DIN 1.0619
Ball seal material	TFM 4215	
Face to Face	ASME B16.10	DIN 3202 F4
Flange Connection	ASME B16.50	DIN 2633
Pressure Rating	275PSI	16 Bar
Mounting	ISO 5211 Direct Mount	
Seat	PTFE	

Pressure - Temperature Limits

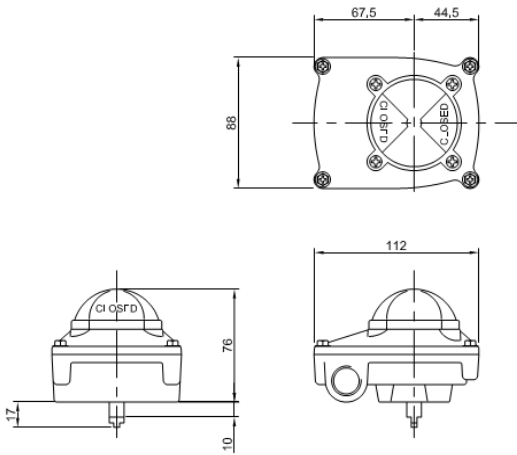
SIZE 1/4" - 2"



PTFE

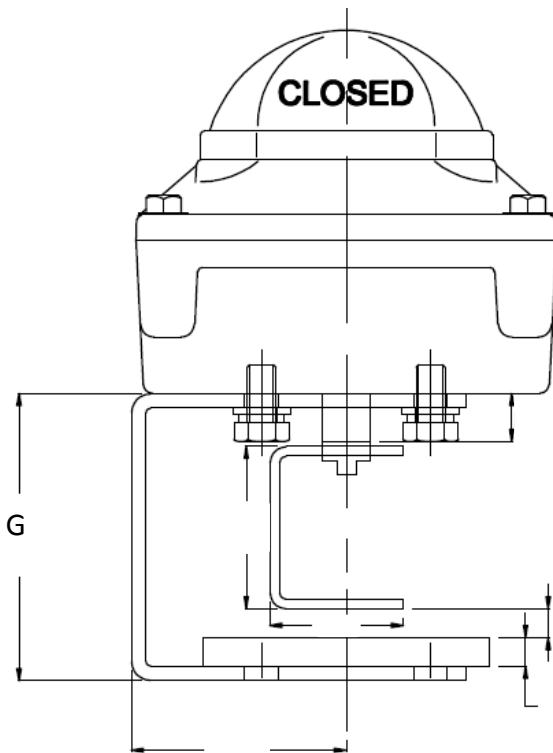
**RPTFE
PTFE + 15%
Glass**

TFM 1600



SPECIFICATION

- Die Cast Aluminium enclosure
- IP67 Enclosure
- Polyester powder coating (black) finish
- Stainless steel Namur shaft
- 2x M20 cable entries
- 2x SPDT mechanical limit switches
- Voltage/Amps 240V AC/16A, 125V AC/16A, 250VDC/0.3A, 125VDC/0.6A and 30VDC/10A
- Captive cover bolts
- -20°C to + 80°C Ambient temperature



OPTIONS
Atex approved EXD
Proximity sensors