



Cast Iron Pneumatic actuated Uni-Directional Knife Gate Valve

- Size Range DN50 – DN300 (2" - 12")
- Fits between PN10 flanges
- Double Acting Pneumatic Actuator
- Low pressure loss
- Cast Iron Body & Stainless Steel Gate
- Fitted with Side Protection Plates as Standard

DESCRIPTION

An economic, tough and reliable, Uni-Directional cast iron epoxy coated knife gate valve, fitted with a pneumatic double acting actuator. Lugged and tapped, the valve is suitable to fit between PN10 flanges up to 10" and PN6 Flanges for 12". Having an EPDM seal as standard with options for NBR seals. Easy to operate and ideal for use on water, in water treatment, food, chemical and pulp industries.

Typical applications include:

water treatment, cement industry, bulk handling and food industries.

Optional extras:

- Limit Switches (double Roller) fitted
- Position Detectors (inductive sensor)
- Pilot solenoids available in various voltages fitted and piped up



Description

A pneumatic double acting knife gate valve, having a cast iron body, EPDM seals and stainless steel gate. Fits between PN10 flanges. The cylinder is a powerful actuator and offer long and repeatable life. The valve is uni-directional in design and comes with side protection plates.



Beschreibung

Ein pneumatisches doppelwirkendes Messerschieberventil mit einem Gusseisenkörper, EPDM-Dichtungen und einem Edelstahlschieber. Passt zwischen PN10 Flansche. Der Zylinder ist ein leistungsstarker Aktuator und bietet eine lange und wiederholbare Lebensdauer. Das Ventil ist unidirektional ausgeführt und wird mit seitlichen Schutzplatten geliefert.



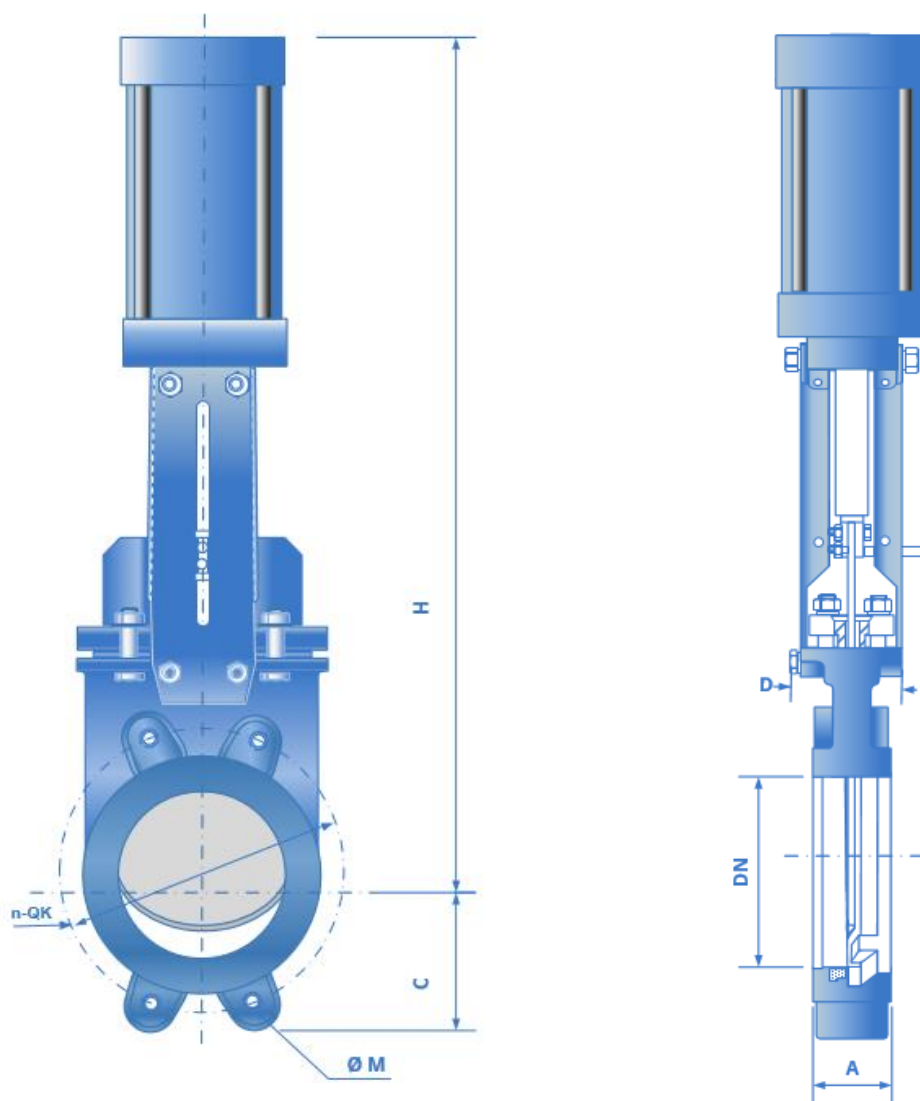
Descripción

Una válvula de guillotina neumática de doble efecto, con cuerpo de hierro fundido, juntas de EPDM y compuerta de acero inoxidable. Encaja entre bridas PN10. El cilindro es un actuador potente y ofrece una vida útil prolongada y repetible. La válvula es de diseño unidireccional y viene con placas de protección laterales.



Description

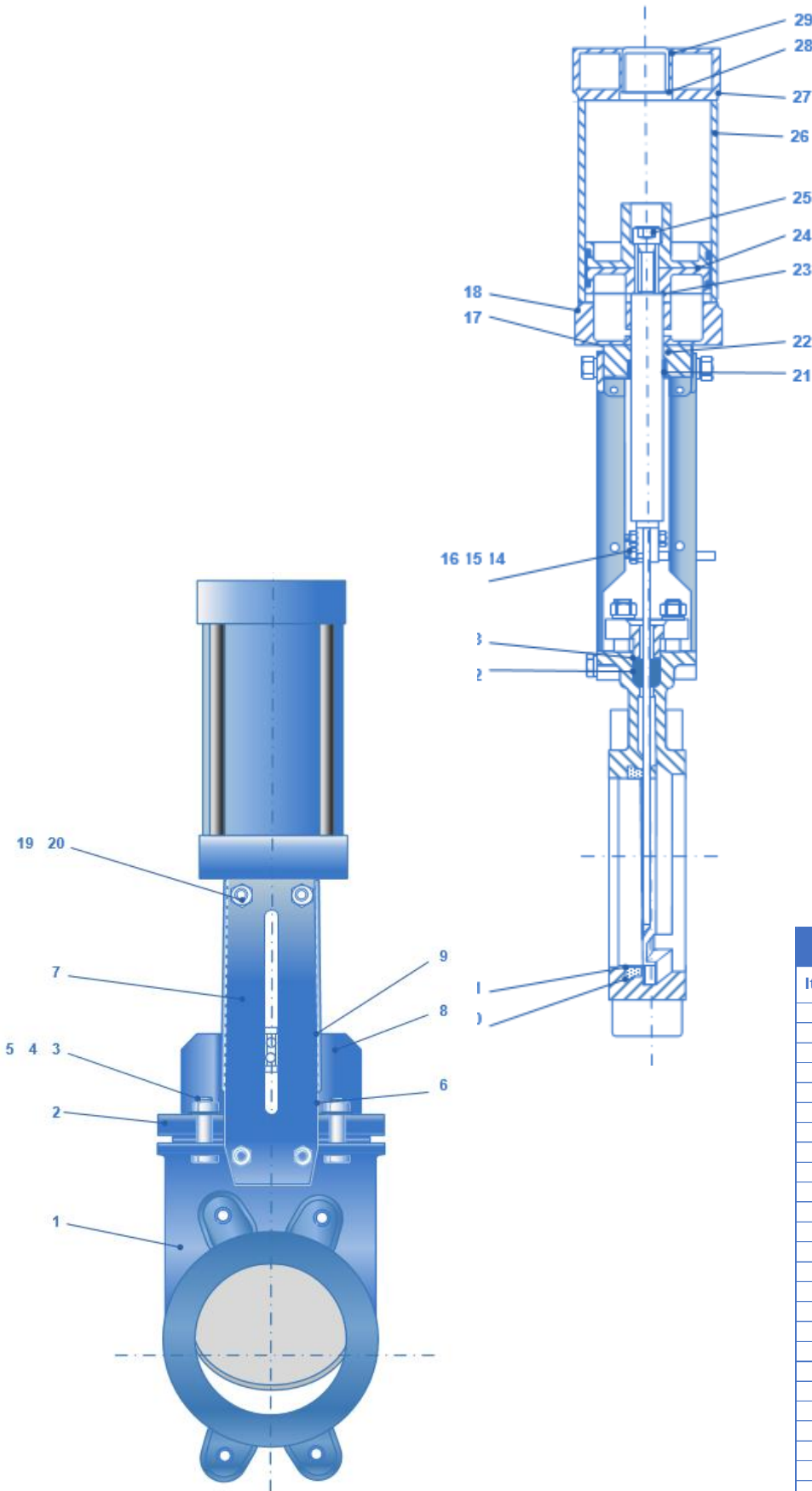
L'invention concerne une vanne à guillotine pneumatique à double effet, ayant un corps en fonte, des joints en EPDM et une vanne en acier inoxydable. S'adapte entre les brides PN10. Le cylindre est un actionneur puissant et offre une durée de vie longue et répétable. La vanne est de conception unidirectionnelle et est livrée avec des plaques de protection latérales.



Dimensions and Weights

Size DN	A	C	H	Air Inlet	P	n	K	M	KG Cast Iron
50	40	60	417	1/4"	100	4	125	4 M16	9.2
65	40	65	433	1/4"	100	4	145	4 M16	9.7
80	50	88	560	1/4"	100	8	160	4 M16	11.5
100	50	100	655	1/4"	100	8	180	4 M16	13.5
125	50	113	655	1/4"	125	8	210	4 M16	19.5
150	60	128	730	3/8"	125	8	240	4 M20	22
200	60	155	918	3/8"	160	8	295	4 M20	49

All information is sourced from our manufacturer's data and is intended for guidance only - ValvesOnline can accept no liability for changes, omissions or errors.



Pressure / Temperature

Pressure	PN10 2" - 10"
Temp.	-10°C/+120°C

Material Specifications

Item	Description	Material
1	Body	GGG40 Cast Iron
2	Valve Cap	GGG40 Cast Iron
3	Nut	Steel
4	Washer	Steel
5	Stud A Bolt	Steel
6	Gate	304 Stainless Steel
7	Plate Stay	Q235 Steel
8	Safety Guards	304 Stainless Steel
9	Screw	Steel
10	Seat	EPDM
11	SS Ring	304 Stainless Steel
12	Packing	PTFE
13	O-Ring	NBR
14	SS Bolt	304 Stainless Steel
15	Polyamide Nut	304 Stainless Steel
16	Indicator	304 Stainless Steel
17	Stem	45 Chrome Plated Steel
18	Connect seat	ZG200-400 Steel
19	Bolt	Steel
20	Spring washer	Steel
21	Dust Proof Sealing	NBR
22	Oil Bearing	Composite Material
23	Stem Gasket	NBR
24	Piston	Aluminium
25	Socket Bolt & Spring Washer	45 Steel
26	Cylinder Shell	Aluminium
27	Sealing Ring	NBR
28	Cussion Seal	NBR
29	Cylinder Cover	Aluminium

All information is sourced from our manufacturer's data and is intended for guidance only - ValvesOnline can accept no liability for changes, omissions or errors.