

## Economical 3 Piece Manual Stainless Steel Ball Valve



- Economical 3 Piece Ball Valve
- Lockable Lever
- Sizes ¼" to 4"
- Blow-Out Proof Stem
- Investment Casting
- Full Bore
- Working Temperature -20°C to 200°C
- Maximum Working Pressure 63 Bar
- ¼"-1¼" Solid Stainless Steel Ball
- 1½"- 4" Hollow Stainless Steel Ball

### Description

An economical 3 piece stainless steel full bore ball valve, that's ideal for manual isolation of flowing media being suitable for industrial and chemical applications. Coupled with the added benefits of a blow-out stem and lockable lever handle. This valve offers reliable and trouble free operation, benefiting processes, both safely and consistently. PTFE seats allow temperatures from -20°C up to 200°C and maximum pressures of 63 Bar. End connections are BSPP.

**SOLID BALL ¼" - 1¼"**

**HOLLOW BALL 1½" - 4"**



### Description

An Economical solution for the isolation of pipework in many industrial and chemical applications. PTFE Seats and seals with stainless steel ball - ¼" - 1¼" solid ball and 1½" - 4" Hollow ball. Lever insulated handle with locking facility in both open and closed positions. Screwed BSPP and offering a full flow port.



### Beschreibung

Eine wirtschaftliche Lösung zur Isolierung von Rohrleitungen in vielen industriellen und chemischen Anwendungen. PTFE Sitze und Dichtungen mit Edelstahlkugel - ¼" - 1¼" Vollkugel und 1½" - 4" Hohlkugel. Hebelisolierter Griff mit Arretierungsmöglichkeit sowohl in geöffneter als auch in geschlossener Position. Geschraubtes BSPP-Gehäuse mit vollem Durchfluss.



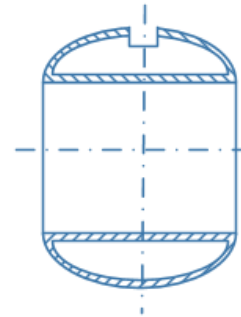
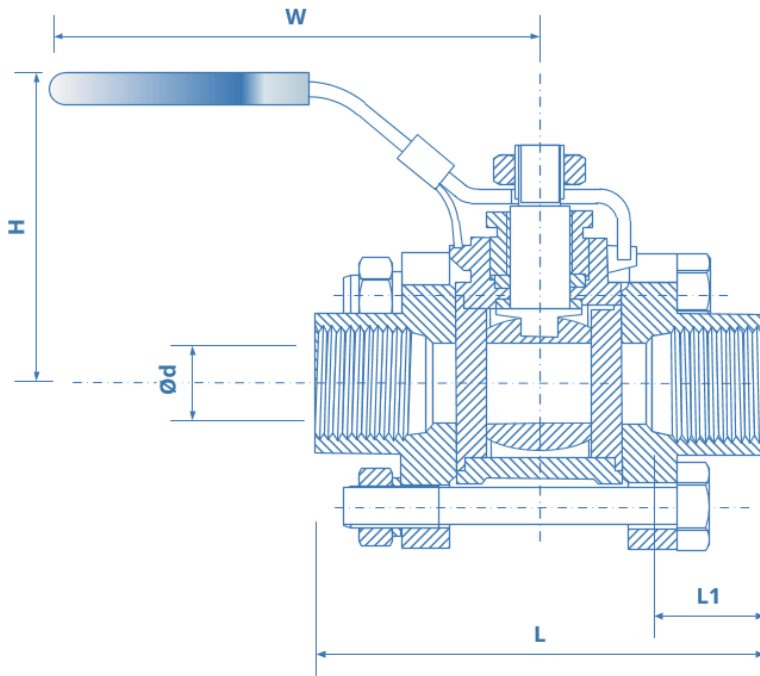
### Descripción

Una solución económica para el aislamiento de tuberías en muchas aplicaciones industriales y químicas. PTFE Asientos y sellos con bola de acero inoxidable - ¼" - 1¼" bola sólida y 1½" - 4" Bola hueca. Manija aislada por palanca con mecanismo de bloqueo tanto en posición abierta como cerrada. BSPP atornillada y ofrece un puerto de flujo completo.



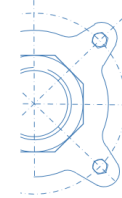
### Description

Une solution économique pour l'isolation de la tuyauterie dans de nombreuses applications industrielles et chimiques. Sièges et joints en PTFE avec bille en acier inoxydable - bille pleine de ¼" à 1¼" et bille creuse de 1½" à 4". Poignée isolée par levier avec possibilité de verrouillage en position ouverte ou fermée. BSPP vissé et offrant un passage plein.



SOLID BALL 1/4"-1 1/4"  
HOLLOW BALL 1 1/2"-4"

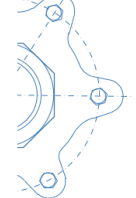
1/4"-2"  
4 Bolts



2 1/2"-3"  
4 Bolts

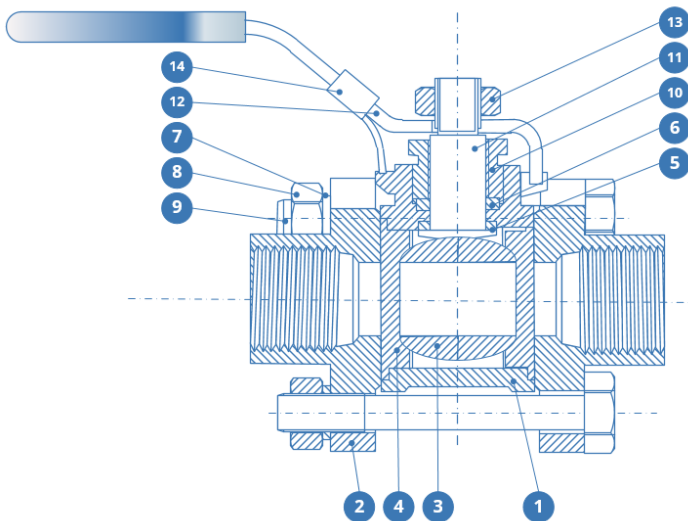


4"  
6 Bolts



### DIMENSIONS

DN	8	10	15	20	25	32	40	50	65	80	100
d	12	12	15	20	25	32	38	49	65	78	100
L	67	67	63	71	80	96	104	124	163	191	242
L1	11	11	14	14	16	20	20	24	28	36	43
H	55	55	55	60	67	78	91	101	130	136	160
W	96	96	96	110	133	133	172	172	220	245	310
Torque N/m	9.1	7.8	7.8	10.4	10.4	22.1	26	31.2	52	78	92.3
Weight	0.4	0.4	0.4	0.6	0.8	1.3	1.6	2.5	5.3	7.9	14



ITEM	PART	MATERIAL
1	Body	SS 316
2	Cap	
3	Ball	
4	Seat	PTFE/RTFE
5	Thrust Washer	PTFE
6	Packing	
7	Washer	SS
8	Nut	A2-70
9	Bolt	
10	Gland	SS 304
11	Stem	SS 316
12	Handle	SS201
13	Locking Nut	SS
14	Locking Device	SS201