



High Pressure Servo Assisted Solenoid Valve 0.5 Bar to 50 Bar

- Pressure 0.5 Bar – 50Bar
- Normally Closed
- Temperature – 10°C up to 90°C
- 500 millisecond Open/Close
- Servo Assisted
- Brass Body, Screwed BSP
- PTFE + NBR Seal and Gaskets

Description

The SV5226 is a powerful and robust servo assisted solenoid valve widely used on high pressure applications. Manufactured in Brass, fitted with PTFE and NBR seals and screwed BSP. This valve can be mounted in any position and is a 100% continuously rated. Suitable for media such as Air, Water and Light oils up to a viscosity of 50 centipoise. Supplied with DIN plug. Offered in sizes of 3/8", 1/2", 3/4" and 1". A choice of voltages in AC and DC.

- **Media: Air, water, light oil,**
- Pressure range: 0.5 to 50 bar max
- Media temperature: Up To 90° C max
- Ambient temperature: -10° to +50° C
- Media viscosity: 50 centistokes max
- Mounting: Any Position
- Opening Closing time: 500 m Sec max
- Body: Brass
- Seal & Gaskets: PTFE + NBR



Description

Servo-Assisted brass solenoid valve, suitable for high pressures from 0.5 up to 50 Bar. This valve needs a differential pressure of 0.5 Bar to operate correctly. Typical applications are pumped systems on neutral air, gasses such as compressed air, natural gas, and water. 3/8" - 1" BSP connections with PTFE + NBR seal materials.



Beschreibung

Servounterstütztes Magnetventil aus Messing, geeignet für hohe Drücke von 0,5 bis 50 bar. Dieses Ventil benötigt einen Differenzdruck von 0,5 Bar, um korrekt zu funktionieren. Typische Anwendungen sind gepumpte Systeme mit neutraler Luft, Gasen wie Druckluft, Erdgas und Wasser. 3/8" - 1" BSP Anschlüsse mit PTFE + NBR Dichtungsmaterialien.



Descripción

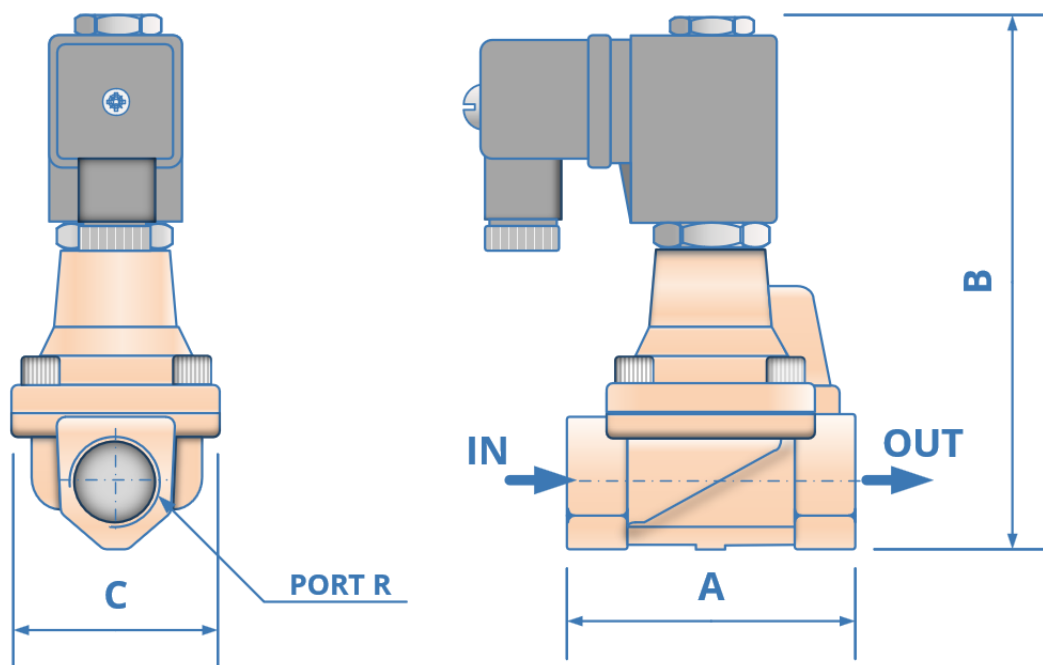
Electroválvula servoasistida de latón, apta para altas presiones desde 0,5 hasta 50 Bar. Esta válvula necesita una presión diferencial de 0,5 Bar para funcionar correctamente. Las aplicaciones típicas son sistemas de bombeo con aire neutro, gases como aire comprimido, gas natural y agua. Conexiones 3/8" - 1" BSP con materiales de sellado PTFE + NBR.



Description

Électrovanne en laiton servo-assistée, adaptée aux hautes pressions de 0,5 à 50 bar. Cette vanne a besoin d'une pression différentielle de 0,5 bar pour fonctionner correctement. Les applications typiques sont les systèmes de pompage sur air neutre, gaz tels que l'air comprimé, le gaz naturel et l'eau. Raccords 3/8" - 1" BSP avec matériaux d'étanchéité PTFE + NBR.

SV5226



Electrical Data

Voltage (-10% + 10%) Continuous duty 100%	Coil	Power Consumption		Insulation Class	IP Rating With Connector
		Inrush	Hold		
24 - 110 - 220 - 380 (50 or 60 Hz)	22003	23VA	17 VA	H 180°C	3 Pins Din43650, Din 40050, VDE 0110
12 - 24 - 48 (DC)		15 Watts			

Construction

Body	Die Cast Brass
Tube & Internal Parts	Stainless Steel
Head & Plunger	Stainless Steel
Seals and gaskets	PTFE + NBR
Moulded Coil	Resin

IP65 Coil & IP65 Connector PG9 – DIN 43650 A
ATEX 22003EX Coil: ATEX EExmII T4 II 2G & 2D IP65 T130°C
(Pressure rating reduce by 30%)
NPT Thread
Other custom made options available upon request

Seal Material

90° C	PTFE + NBR
-------	------------

SPECIFICATIONS

Port	Orifice	Kv Ltr/min	Pressure Rating (Bar)			Weight Kg	Dimensions		
			Min	Max AC	Max DC		A	B	C
3/8"	13	40	0.5	50	50	0.86	67	106	48
1/2"	13	40					67	107	48
3/4"	25	95					100	127	70
1"	25	165					100	127	70

All information is sourced from our manufacturer's data and is intended for guidance only - Valves Online can accept no liability for changes, omissions or errors.