



Mini WRAS Ball Valve Male x Male

- 1/8" to 3/4"
- Winged Lever Chrome Finish
- PN16 Rated
- - 10°C to 90°C
- Screwed BSPP male x male

Description

Chrome plated male x male screwed BSPP, mini ball valve with winged lever operator. Suitable for use on pneumatic and liquid applications. Valve offers reliable on / off operation. Holds water research council approval WRAS.



Description

A WRAS approved mini chrome plated, brass ball valve, with a winged nylon black handle. Screwed male x male BSPP. Reduced bore rated to 16 bar, temperature -10°C to 90°C.



Beschreibung

Ein nach WRAS zugelassener Kugelhahn aus verchromtem Messing mit einem schwarzen Griff aus geflügeltem Nylon. Einschraubstecker x Einschraubstecker BSPP. Reduzierte Bohrung auf 16 bar, Temperatur -10°C bis 90°C.



Descripción

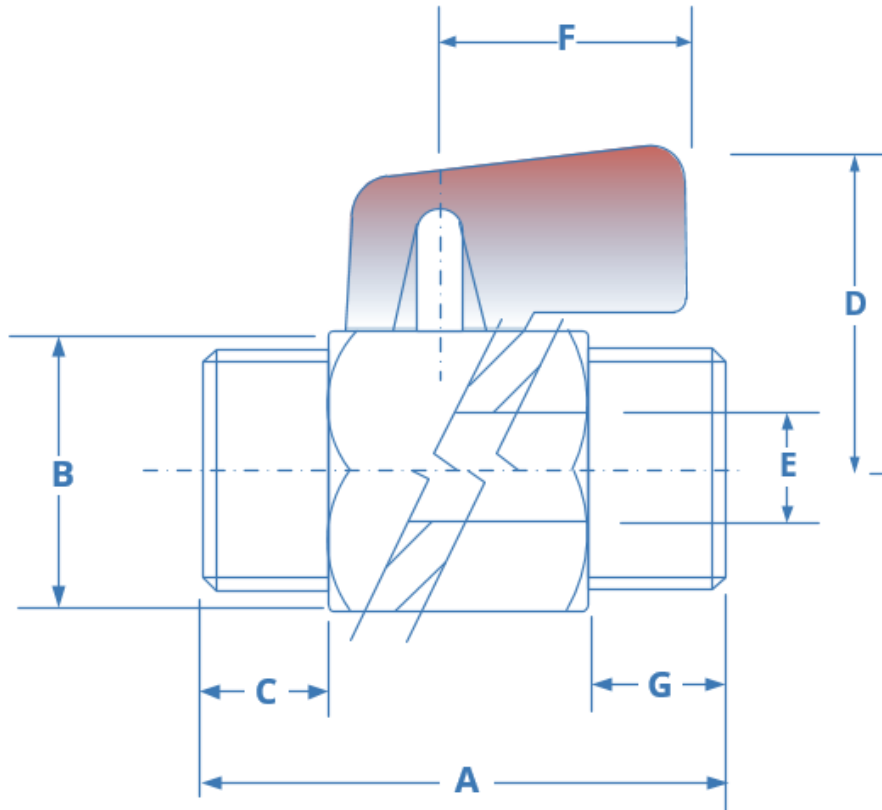
Válvula de bola de latón chapada en cromo, aprobada por WRAS, con mango negro de nailon alado. Tornillo macho x macho BSPP. Agujero reducido clasificado a 16 bar, temperatura -10°C a 90°C.



Description

Robinet à tournant sphérique en laiton, chromé et approuvé par WRAS, avec poignée noire en nylon ailée. Mâle vissé x mâle BSPP. Alésage réduit jusqu'à 16 bar, température -10°C à 90°C.





Dimensions

DN	G	C	A	E	B	D	F	Kg
1/4"	9	9	42	8	21	12.5	18	0.06
3/8"	10	9	42	8	21	12.5	21	0.07
1/2"	10.5	10.5	50	10	25	14.5	24	0.1

Pressure / Temperature Ratings

Working Pressure	PN16
Temperature	-10°C to 90°C

Typical Applications: Isolation on pneumatic systems and in small areas where lever operated valves will not fit.

Material List

Body	Sandblasted Nickel Plated
Sleeve	Brass
Ball	Brass nickel plated
Seat	PTFE
Stem O-ring	NBR
Handle	Glass Fibre Reinforced Nylon



Dimensions shown are for guidance only