



## Brass Ball Valve with neck Extension – Gas - WRAS

- EN331 BG Certified
- WRAS Certified
- ¼" - 4"
- Full Bore
- Extended Yellow neck Stem

### DESCRIPTION

Brass ball valve nickel plated, screwed BSPP, full bore and fitted with a neck extension and operated via a yellow PVC coated lever. The valve is approved for use on gas to EN331: 1998 +A1:2010 British Gas and holds a WRAS approval for use with drinking water. PTFE seats with NBR/Viton stem O rings. Anti blow out stem. Most common use is where insulation needs to be fitted around the valve (lagging) on both industrial and domestic process. Heating, hot water, cold water, oil, fuel, gas and air pipe systems.

### Design Advantages

*An economical ball valve that offers high performance isolation, that's usually associated with much more expensive valves.*



BSI Gas Approved



### Description

A nickel plated HT brass ball valve having both BSI Gas and WRAS approval. Having an extended neck that rotates when the handle is turned for use with thermal insulation. Screwed female x female BSPP. Full bore with yellow lever handle.  
Rated PN64 ¼" - ½", PN40 ¾" - 2 1/2", PN32 - 3" and PN25 - 4"  
Temperature -20°C to 70°C Gas. -20°C bis 150°C liquids.



### Beschreibung

Ein vernickelter HT-Messingkugelhahn mit BSI-Gas- und WRAS-Zulassung. Mit einem verlängerten Hals, der sich dreht, wenn der Griff zur Verwendung mit Wärmedämmung gedreht wird. Innengewinde x Innengewinde BSPP. Volle Bohrung mit gelbem Hebelgriff.  
Nenn-PN64 ¼" - ½", PN40 ¾" - 2 1/2", PN32 - 3" und PN25 - 4"  
Temperatur -20°C bis 70°C Gas. -20°C bis 150°C Flüssigkeiten.



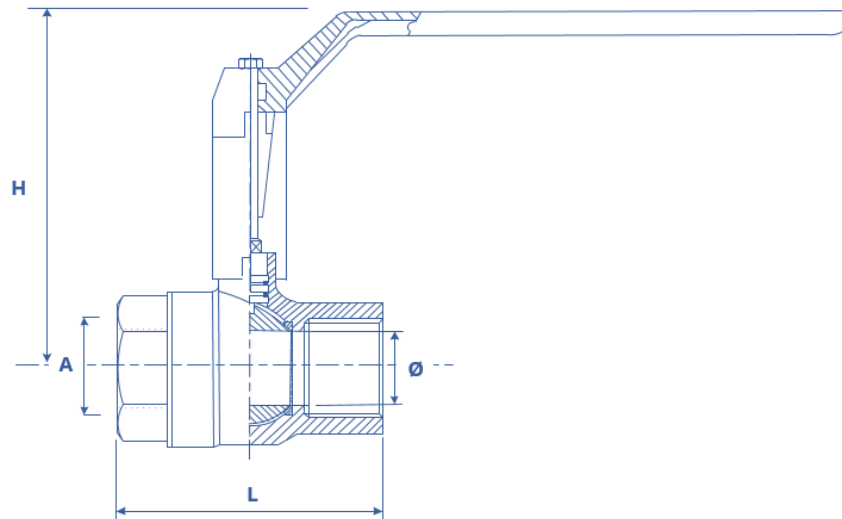
### Descripción

Una válvula de bola de latón HT chapada en níquel con aprobación tanto de BSI Gas como de WRAS. Tener un cuello extendido que gira cuando se gira el asa para usar con aislamiento térmico. Tornillo hembra x hembra BSPP. Diámetro total con mango amarillo.  
Clasificación PN64 ¼" - ½", PN40 ¾" - 2 1/2", PN32 - 3" y PN25 - 4"  
Temperatura -20°C a 70°C Gas. -20°C bis 150°C líquidos.



### Description

Robinet à boisseau sphérique en laiton HT plaqué nickel, homologué BSI Gas et WRAS. Ayant un cou étendu qui tourne lorsque la poignée est tournée pour une utilisation avec une isolation thermique. Femelle vissée x femelle BSPP. Plein alésage avec levier jaune.  
Classé PN64 ¼" - ½", PN40 ¾" - 2 1/2", PN32 - 3" et PN25 - 4"  
Température -20°C à 70°C Gaz. Liquides -20°C à 150°C.



Dimensions shown are for guidance only

## Pressure / Temperature Ratings

Pressure	1/4" - 1/2" PN 64
	3/4" - 2 1/2" PN40
	3" - PN32
	4" PN25
Temperature Fluid 1/4"-2"	-20°C to +150°C
Temperature Gas 1/4"-2"	-20°C to +70°C

## DIMENSIONS

Size A	Ø	H	L	Kg
1/4"	8	99	45	0.29
3/8"	12	99	45	0.29
1/2"	15.0	111.0	59	0.29
3/4"	20	125.0	69	0.45
1"	25	128.0	83	0.63
1 1/4"	30.0	145.0	94	0.97
1 1/2"	40	157.0	102	1.29
2"	50	165.0	124	2.0

## Material List

Body	Brass Nickel Plated
Ball	Brass Chrome Plated
Seats	PTFE
Stem	Brass
Stem O-Rings	NBR & FKM
Lever and Ext Spindle	Cast Aluminium



BSI Gas Approved



Manufactured in Italy by RIV