



## Brass Ball Valve with Drain Plug

- Hard Chrome Plated Ball
- ½ to 2"
- Red Aluminium Lever Handle
- BSPP Screwed End Connections
- Removable Drain Plug
- PN20 Rated
- Temperature -15°C to 120°C
- WRAS Approved

### Description

A good quality, general purpose full bore brass ball valve with a nickel plating. Used to shut off and isolate flows in a pipeline. The valve has an addition of a useful drain plug that can be removed to drain the process line and sealed with a NBR rubber O Ring. The valve is screwed BSPP (parallel) female ends as standard it has a red cast aluminium lever handle.



### Description

A brass nickel plated ball valve that's used in many general industrial applications throughout the UK and Europe. Full flow with anti blowout stem. Screwed BSPP and fitted with a removable drain plug. Red Aluminium handle  
Temperature range for fluids -15°C to +120°C  
Pressure rating (see specifications).



### Beschreibung

Ein vernickelter Kugelhahn aus Messing, der in vielen allgemeinen industriellen Anwendungen in Großbritannien und Europa eingesetzt wird. Voller Durchfluss mit Anti-Blowout-Vorbau. BSPP geschraubt und mit einer abnehmbaren Ablassschraube ausgestattet. Roter Aluminiumgriff  
Temperaturbereich für Flüssigkeiten -15°C bis +120°C Druckstufe (siehe Spezifikationen).



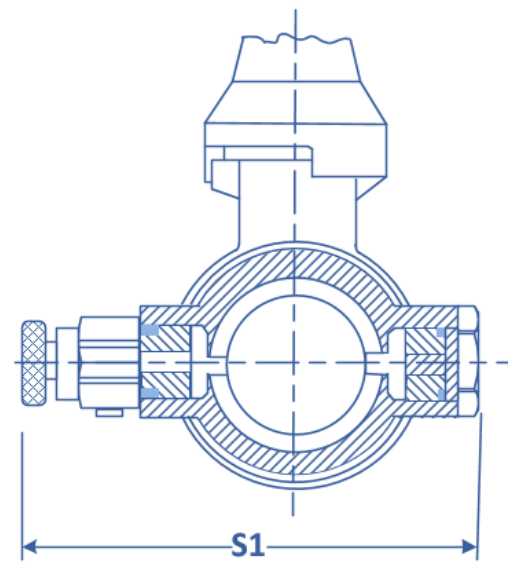
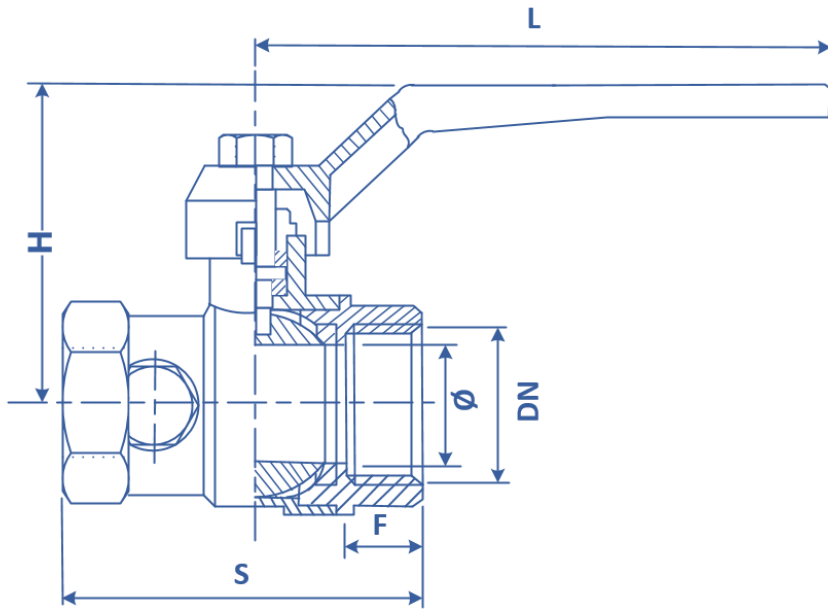
### Descripción

Una válvula de bola de latón niquelado que se utiliza en muchas aplicaciones industriales generales en el Reino Unido y Europa.  
Flujo total con vástago anti-explósión. BSPP atornillado y provisto de un tapón de drenaje extraíble. Mango de aluminio rojo  
Rango de temperatura para fluidos -15 °C a +120 °C  
Clasificación de presión (ver especificaciones).



### Description

Un robinet à tournant sphérique en laiton nickelé utilisé dans de nombreuses applications industrielles générales au Royaume-Uni et en Europe.  
Plen débit avec tige anti-éclatement. BSPP vissé et équipé d'un bouchon de vidange amovible. Poignée en aluminium rouge  
Plage de température pour fluides -15 °C à +120 °C  
Pression nominale (voir spécifications).



Dimensions shown are for guidance only

## Dimensions

Size	∅	F	H	L	S	S1	Kg
1/2"	15	11	50	92	54	TBC	0.23
3/4"	20	12	56	92	60	TBC	0.33
1"	25	15.5	93	115	70	TBC	0.48
1 1/4"	32	16	80.5	125	81.5	TBC	0.83
1 1/2"	40	17.5	85	150	93	TBC	1.09
2"	50	17.5	92	150	107.5	TBC	1.64

## Material List

Body	Nickel Plated Brass
Ball	Chrome Plated Brass
Seats	PTFE
Stem	Brass
Stem O-Ring	PTFE
Stem Gasket	PTFE
Stuffing Box	Brass
Lever	Aluminium
Drain	Nickel Plated Brass
Plug	Nickel Plated Brass
Drain O-Ring	NBR
Plug O-Ring	NBR

## Pressure / Temperature Ratings

Max Pressure	PN20
Temperature	-10°C to 90°C

All information is sourced from our manufacturer's data and is intended for guidance only - Valves Online can accept no liability for changes, omissions or errors.